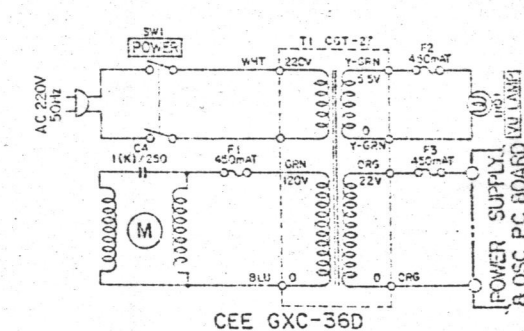
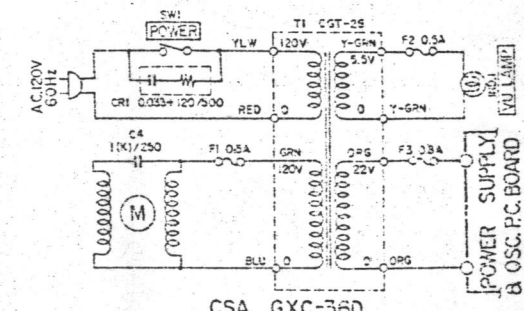
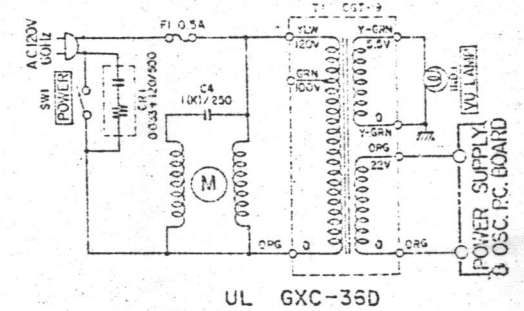
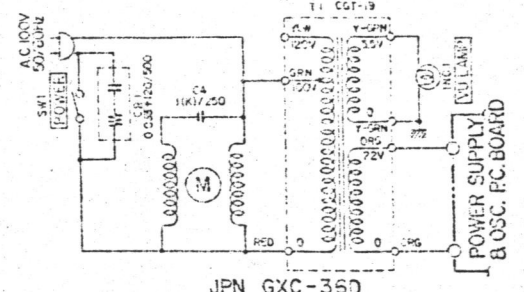
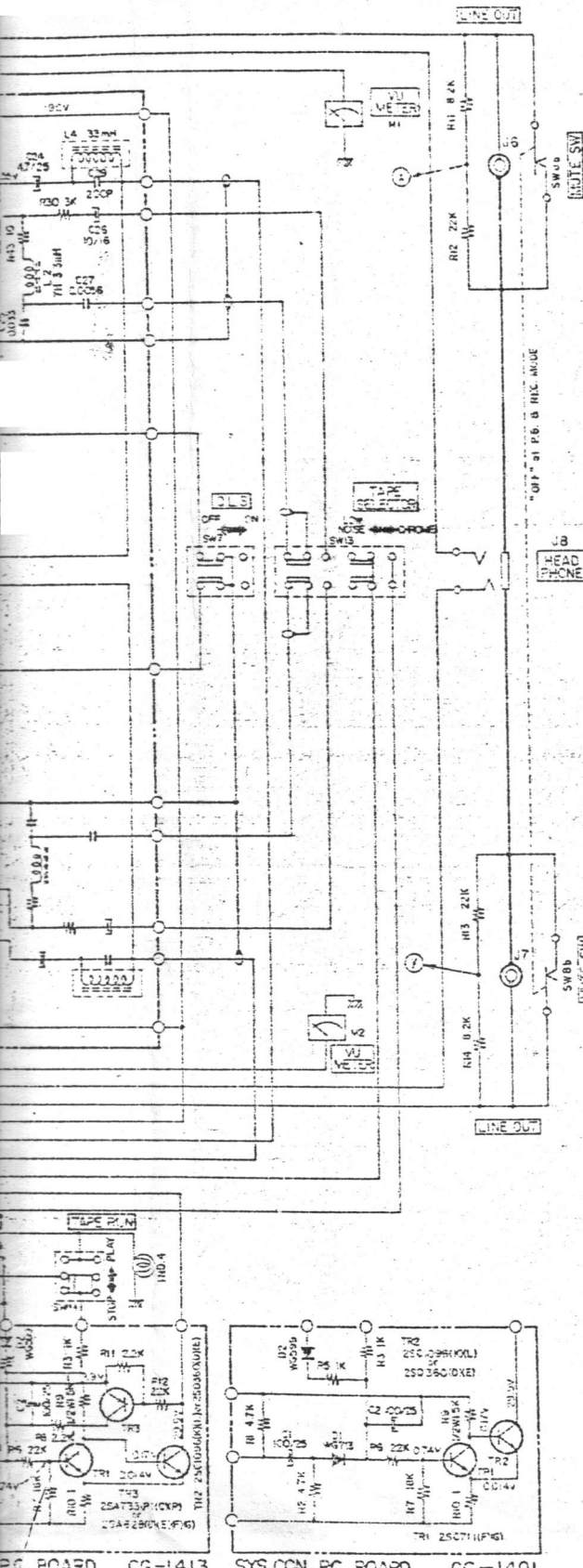


IN CASE OF MODEL NO. GXC-36D (FOR WEST GERMANY):
POWER PLUG AND POWER SWITCH ARE
DIFFERENT SHOWN AS ABOVE.



NOTE
 UNLESS OTHERWISE SPECIFIED
 ALL RESISTORS IN A 1/4W(1)
 ALL CAPACITORS IN .1UF 50WV(1)
 NL INDICATES NOISE LESS RESISTORS
 POWER TRANSFORMER BLOCK IS DIFFERENT
 ACCORDING AREA.

GXC-360
 SCHEMATIC DIAGRAM
 No.2-2 1461255A